

AVAMORE AG220 ~ AG300 SERIES

GRAVITYFEED SLICERS

Designed for light to medium duty use, this range of slicers provides trouble free slicing of hot or cold cooked meats, salami and other meat products.

All three models have manual product holder operation with a combined last slice device and clamp.

Efficient Operation

Finished to the same high standards with built-in reliability associated with all Avamore products. All models feature a powerful motor for ease of slicing and an integral sharpening attachment for a simple but safe way to maintain 'the blades' cutting edge.

Hygienic construction

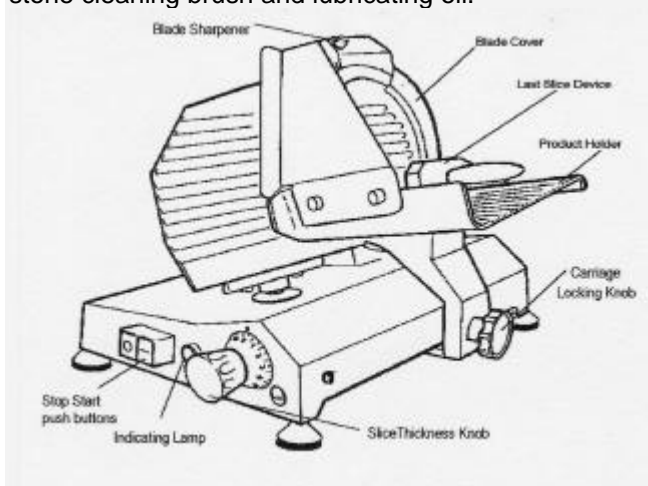
With highly polished corrosion resistant anodised aluminium body and all components that contact the food product, a hardened chrome steel blade these slicing machines are easy to keep clean even with the blade in place.

Safety

This range of slicing machines has been designed to comply with the European Standard EN 1974, and therefore offers you and your staff the very highest safety standards.

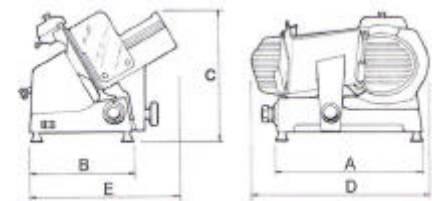
Standard Equipment

Clear Perspex finger and thumb guard, last-slice device, integral sharpener, blade removing device, sharpening stone cleaning brush and lubricating oil.



Rear view of AG220

SPECIFICATION



Model	AG220	AG250	AG300
Blade diameter (mm)	220	250	300
Capacity of cut (mm)			
Round	180	180	190
Square	165 x 165	170 x 170	190 x 190
Rectangle	170 x 120	220 x 145	210 x 190
Thickness (mm)	0 - 15	0 - 15	0 - 15
Stroke Length (mm)	170	220	210
Motor	250W		350W
Electrical Supply	220-240V, 1ph, 50Hz. Other voltages available on request		
Weight, net	15kg	16kg	31kg
Dimensions (mm)			
A	430	430	535
B	340	340	380
C	480	480	490
D	500	510	620
E	390	390	490
Packed weight	19kg	20kg	36kg
Packed dimensions	610 x 450 x 545mm		700 x 550 x 545mm
Volume	0.15m ³		0.21m ³

In the interest of product development we reserve the right to alter specifications without prior notice.

AVAMORE
CATERING EQUIPMENT

Avamore Catering Equipment is a trading name of AVAMORE ENGINEERING LIMITED

Dragon Lodge, The Reeds Road
Millbridge, Frensham,
Surrey, GU10 3DQ, U.K.
Telephone +44 (0) 1252 795404
Facsimile +44 (0) 1252 792780
Email sales@avamore.com
Web: www.avamore.com

